

INSTALLATION INSTRUCTION

ATLAS KITCHEN FAUCET

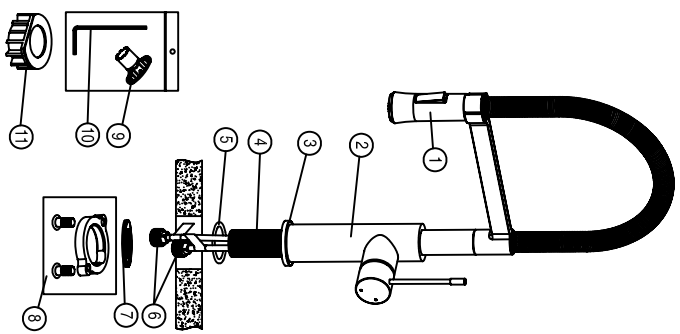
※ACCESSORIES CHECKING

LIST OF THE STANDARD ACCESSORIES:

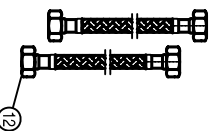
Please double-check the accessory list hereafter and contact our company or our distributor for any unconformity.

Remarks:

1. Without affecting their performing accessories may be changed without further notice.
2. Drawings for reference only. Product size & shape refer to actual faucet.

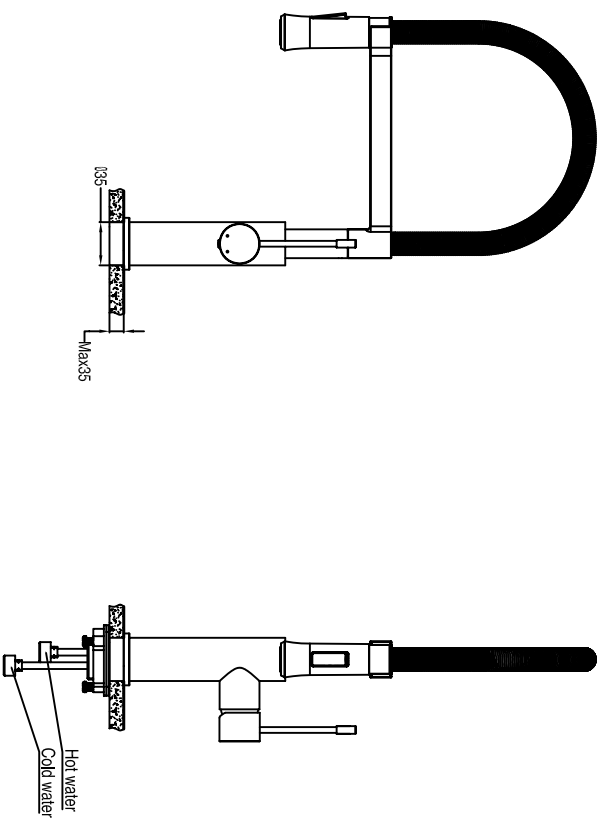
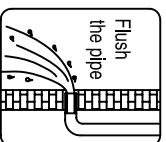
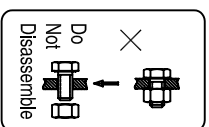


Code	The Accessory List	Quantity
1	Shower	1
2	Main body	1
3	Base	1
4	Threaded sleeve	1
5	O-ring	1
6	Copper tube	2
7	Washer	1
8	Anchor kit	1
9	Aerator wrench	1
10	Allen key	1
11	Plastic base	1
12	Inlet pipe	2



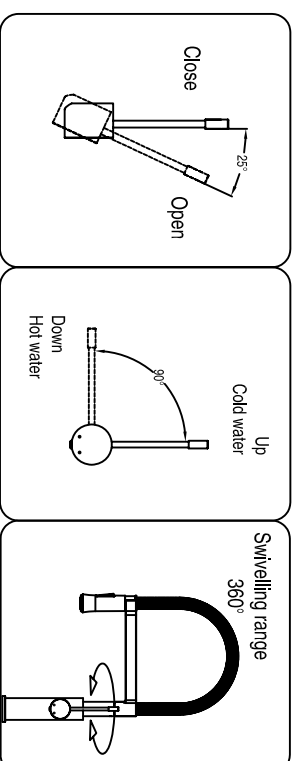
※Installation Instructions

- ☆ Do not disassemble the main body, as it has been installed & commissioned correctly & precisely before leaving the factory.
- ☆ To avoid the faucet from jamming, do flush the water pipe before installation.
- ☆ After installation, make sure every joint is safely sealed & no leaking.
- ☆ Using condition: Working pressure at 0.05-1.0MPa (including cold & hot water pressure), with applicable water temperature: 4°C-90°C.
- ☆ Make sure to connect the hot/cold inlet pipe correctly. If standing in front, hot water pipe connecting to the left & cold water pipe connecting to the right.



※Installation Procedures

- ☆ Make sure the installation holes to be in right sizes;



※Usage

- ☆ How to operate the handle
 1. Raise the handle up for opening water; push it down for close.
 2. Rise temperature as counter-clockwise, when the handle is vertical, the lowest temperature; when handle is horizontal, the highest temperature.
 3. The swivelling can be circled 360°.

※Cleaning & Maintenance

- ☆ To keep the product clean & shining, follow the as below:
 1. Flush with clean water & dry with soft cloth only.
 2. If any dirt, clean with soft liquid or transparent glass detergent.
 3. Do not use any scrubbing detergent, polisher, same-cloth, paper tissue or scraper.
 4. Do not use acid detergent, indissolvable grain-like detergent or soap.

