

# INSTALLATION INSTRUCTION

## DYLAN KITCHEN FAUCET W/PULL OUT

### ※ACCESSORIES CHECKING

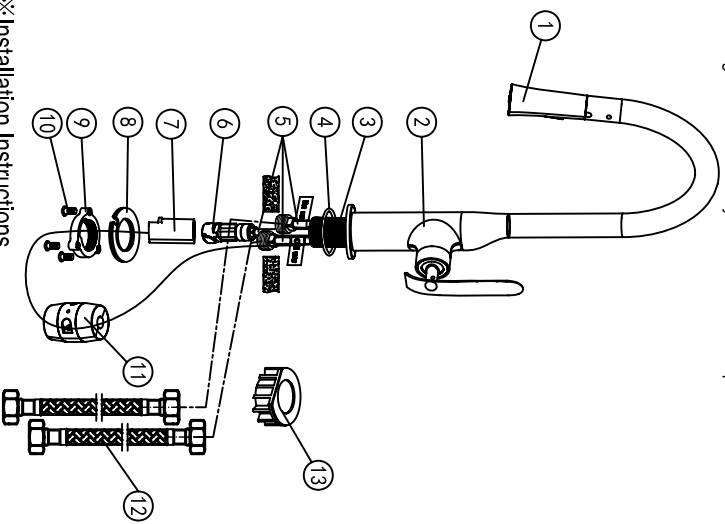
#### LIST OF THE STANDARD ACCESSORIES:

Please double-check the accessory list hereafter and contact our company or our distributor for any unconformity.

Remarks:

1. Without affecting their performance, accessories may be changed without further notice.

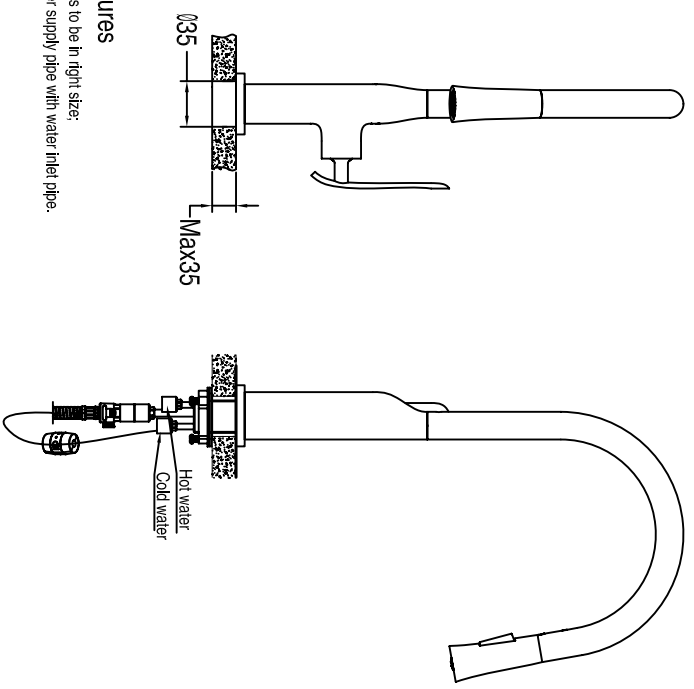
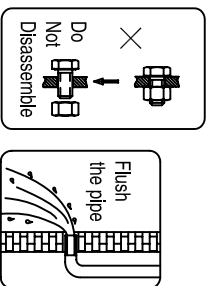
2. Drawings for reference only. Product size & shape refer to actual faucet.



Code	The Accessory List	Quantity
1	Shower	1
2	Main body	1
3	Threaded sleeve	1
4	O-ring	1
5	Copper tube	3
6	Quick connect	1
7	Pull-out protector	1
8	Gasket assembly	1
9	Nut	1
10	Screw	3
11	Weight	1
12	Inlet pipe	1
13	Plastic base	2

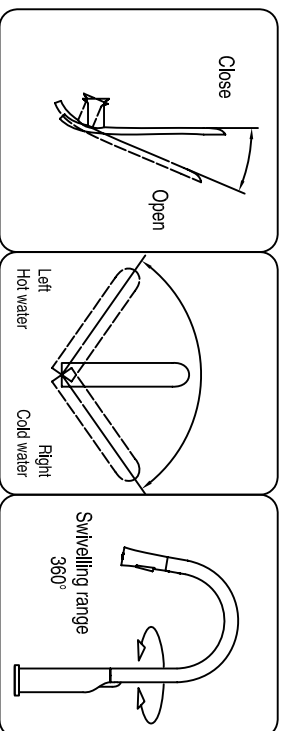
### ※Installation Instructions

- ☆ Do not disassemble the main body, as it has been installed & commissioned correctly & precisely before leaving the factory.
- ☆ To avoid the faucet from jamming, do flush the water pipe before installation.
- ☆ After installation, make sure every joint is safely sealed & no leaking.
- ☆ Using condition: Working pressure at 0.05-1.0MPa (including cold & hot water pressure), with applicable water temperature at 4°C-90°C.
- ☆ Make sure to connect the hot/cold inlet pipe correctly. If standing in front, hot water pipe connecting to the left & cold water pipe connecting to the right.



### ※Installation Procedures

- ☆ Make sure the installation holes to be in right size.
- ☆ Connect the main body & water supply pipe with water inlet pipe.



### ※Usage

☆How to operate the handle

- 1) Raise the handle up for opening water; push it down for close;
- 2) Turn the handle to the left to increase hot water flow for higher water temperature, and lower water temperature by operating reversely.
- 3) The swivelling can be circled 360°.

### ※Cleaning & Maintenance

☆ To keep the product clean & shining, follow the as below:

1. Flush with clean water & dry with soft cloth only.
2. If any dirt, clean with soft liquid or transparent glass detergent.
3. Do not use any scrubbing detergent, polisher, same-cloth, paper tissue or scraper.
4. Do not use acid detergent, indissolvable granule detergent or soap.

