

# INSTALLATION INSTRUCTION

## TRIM BARCELONE 2-OPT

### ※ACCESSORIES CHECKING

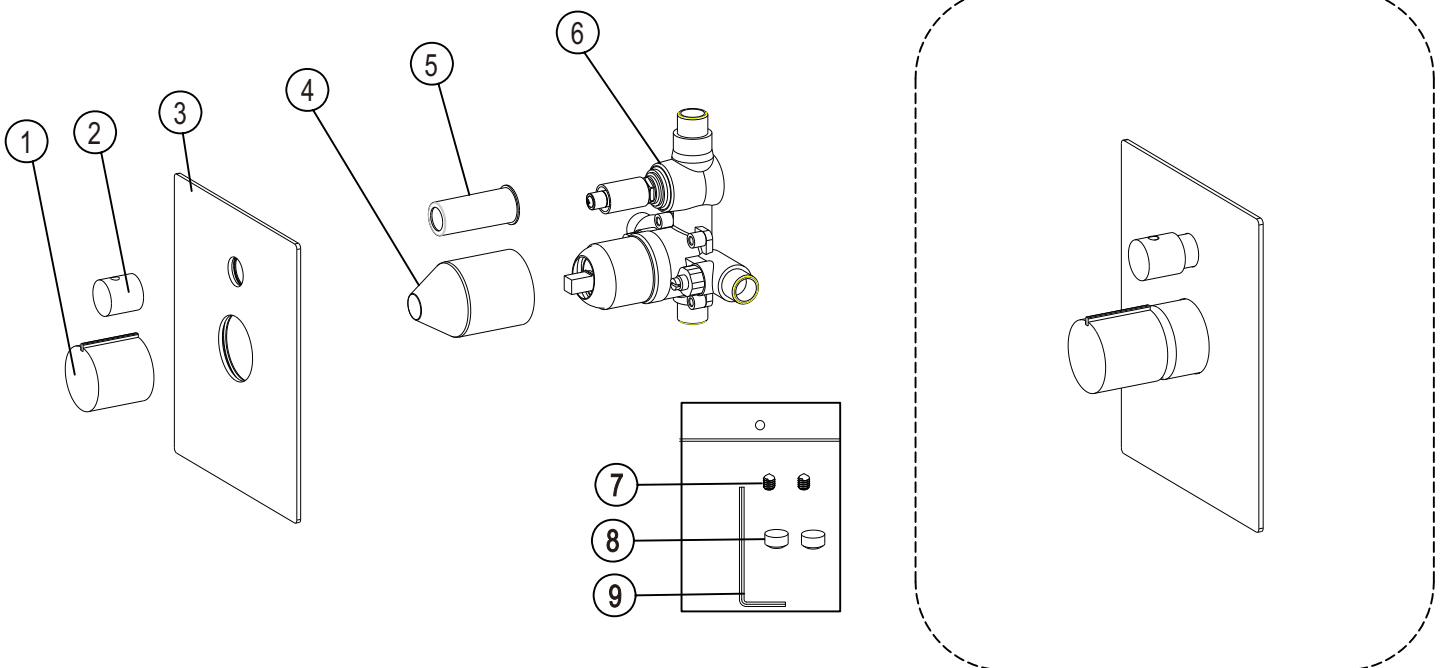
#### LIST OF THE STANDARD ACCESSORIES:

Please double-check the accessory list hereinafter and contact our company or our distributor for any unconformity.

Remarks:

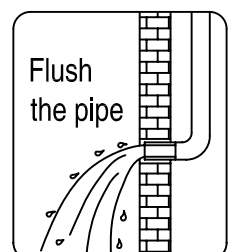
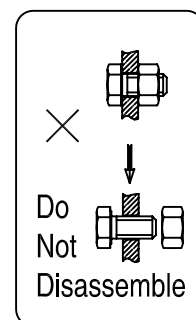
1. Without affecting their performing, accessories may be changed without further notice;
2. Drawings for reference only, Product size & shape refer to actual faucet.

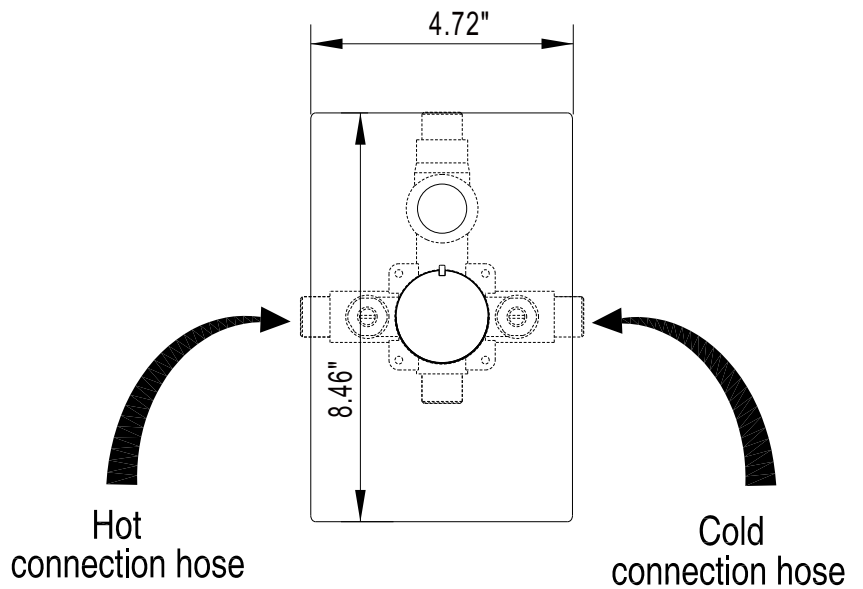
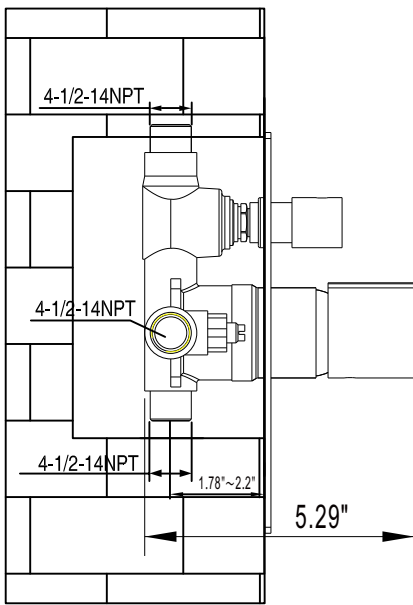
| Code | The Accessory List | Quantity | Code | The Accessory List | Quantity |
|------|--------------------|----------|------|--------------------|----------|
| 1    | Handle             | 1        | 6    | Main body          | 1        |
| 2    | Diverter           | 1        | 7    | Screw              | 2        |
| 3    | Plate              | 1        | 8    | Index              | 2        |
| 4    | Plastic guard      | 1        | 9    | Allen key          | 1        |
| 5    | Plastic guard      | 1        |      |                    |          |



### ※Installation Instructions

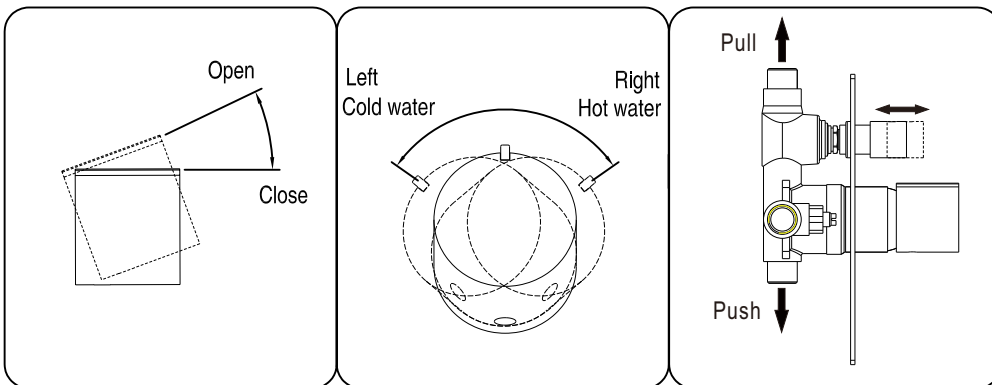
- ☆ Do not disassemble the main body, as it has been installed & commissioned correctly & precisely before leaving the factory;
- ☆ To avoid the faucet from jamming, do flush the water pipe before installation;
- ☆ After installation, make sure every joint safely sealed & no leaking;
- ☆ Using condition: Working pressure at 0.05-1.0MPa (including cold & hot water pressure), with applicable water temperature: 4°C-90°C;
- ☆ Make sure to connect the hot/cold inlet pipe correctly, if standing in front, hot water pipe connecting to the left & cold water pipe connecting to the right.





### ※Installation Procedures

- ☆ Make sure the installation holes to be in right size;
- ☆ Connect the main body & water supply pipe with water inlet pipe.



### ※Usage

☆How to operate the handle

- 1) Raise the handle up for opening water; push it down for close;
- 2) Turn the handle to the left to increase hot water flow for higher water temperature, and lower water temperature by operating reversely.

### ※Cleaning & Maintenance

☆ To keep the product clean & shining, follow the as below:

1. Flush with clean water & dry with soft cloth only;
2. If any dirt, clean with soft liquid or transparent glass detergent;
3. Do not use any scrubbing detergent, polisher, sane-cloth, paper tissue or scraper;
4. Do not use acid detergent, indissolvable grain-like detergent or soap.

