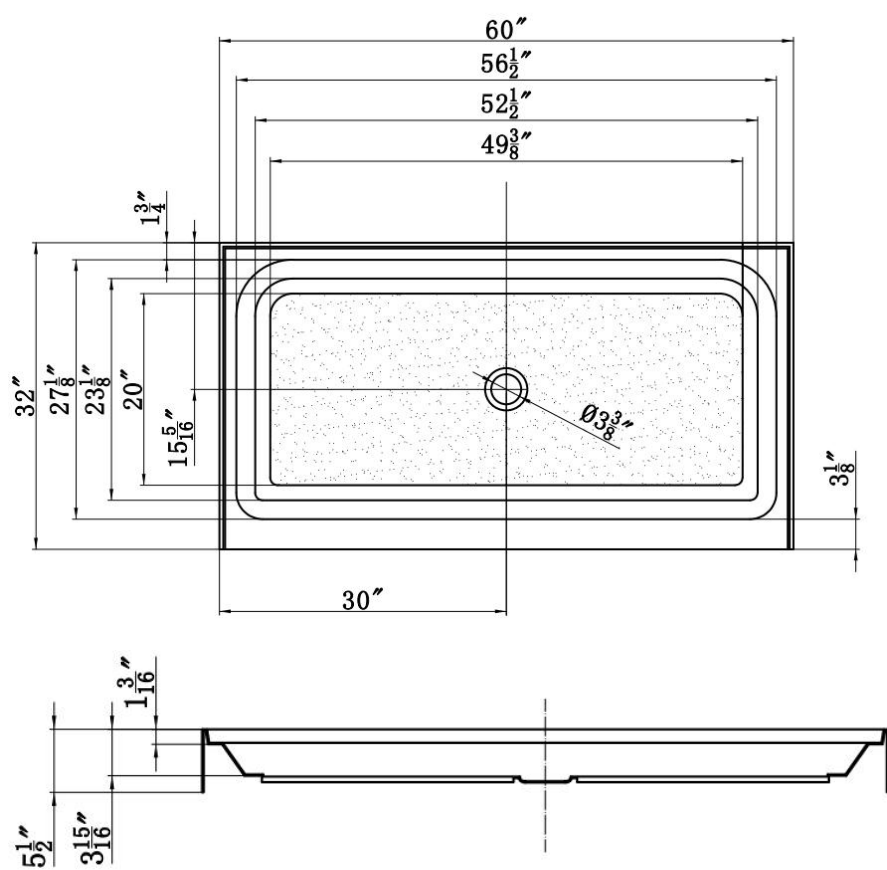
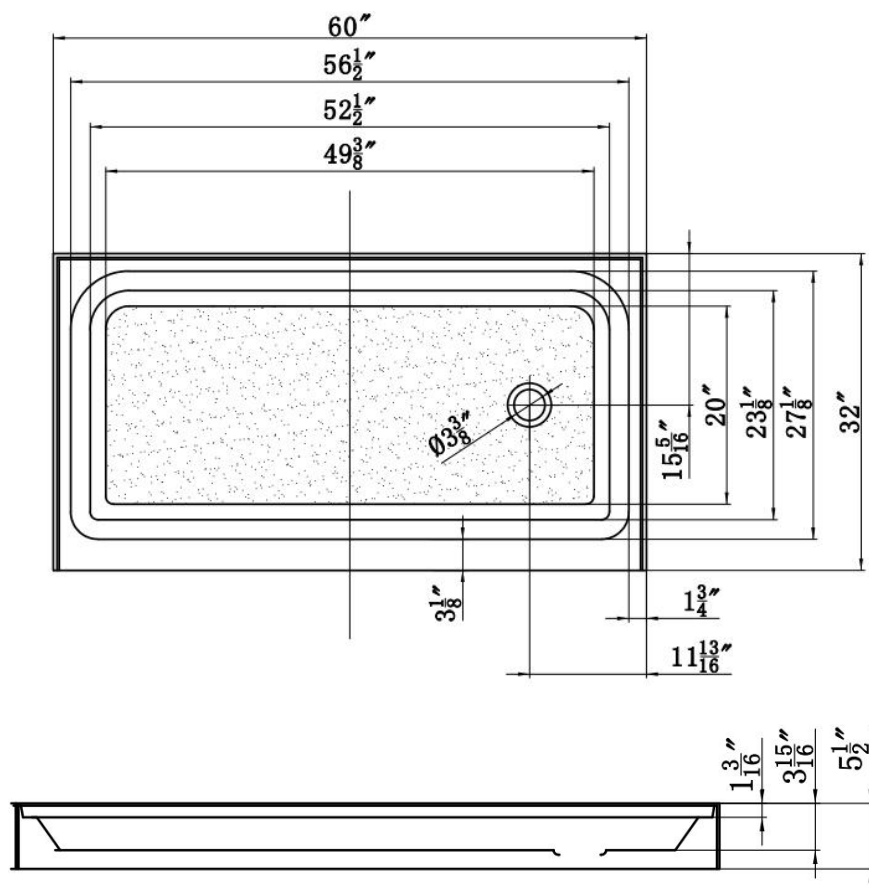




3 Sided Alcove Flange

Top and front view



SB6032C	Centre Drain, 3 Sided Alcove Flange
SB6032L	Left Drain, 3 Sided Alcove Flange
SB6032R	Right Drain, 3 Sided Alcove Flange
Size: 60"x32"x 5 1/2"	

GENERAL SPECIFICATIONS	
Average Weight:	48.50 lb 22 kg
Drain Opening (dia.) :	3 1/4" 85 mm
Drain to Floor Clearance :	3/8" 10 mm

Notes:

Shower base to be installed on the floor supported by two feet and front edge. Shim if required to level for adequate drainage.

Refer to installation instructions for additional information.

IMPORTANT: Dimensions of fixtures are nominal and may vary $\pm 1/4"$ (6mm). Weight may vary ± 5 lb (2.3 kg). Drawing is not to scale. These measurements are subject to change at manufacturer's discretion.

Compliance Certifications -
Meets or Exceeds the following Specifications:

- CSA B45.5-11/IAPMO Z124-2011
- cUPC approved

